

REV HYDRO 6

SPECIFICATION SHEET
STATIC WHITE OUTDOOR
CYLINDER CONVERSION KIT

HIGH LUMEN RECESSED DOWNLIGHT
WITH WATERPROOF DESIGN

Housing

Aperture : Ø7"

Height : 14.9" | Weight : 10 lbs

Material

Housing : Die Cast Aluminum

Lens : PC

Trim : Flow Forming Aluminum

Power Input

50W, 70W | 120V, 277V

Lumen Output

4,400 lm (50W), 5,760 lm (70W)

Dimming

Standard 0-10V : Dims to 10%

DALI : Dims to 10%

Color Quality

CRI 85

Rated Life

> 60,000 Hours (L70)

Trim Finish



Black



Gray



Bronze

Color Temperature



2700K



3000K



3500K



4000K



5000K

Optics



30°



45°



55°

Warranty

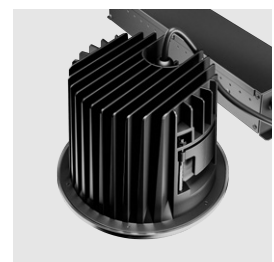
5 Year limited warranty

Listing



Durable Design, Compact
Brilliance.

The REV Hydro, now specified in a cylinder form factor, seamlessly integrates an IP65-rated driver within its cylindrical body to preserve waterproof integrity. This configuration offers versatile mounting options, including a stem or adjustable cable, allowing for flexibility in design while maintaining the fixture's performance and timeless aesthetic.



SPECIFICATION

PROJECT NAME

DATE

CATALOG #

QUANTITY

<input type="text" value="RH6C"/>	MODEL	REV HYDRO 6 CYLINDER		
<input type="text"/>	WATTAGE	50 50W	70 70W	
<input type="text"/>	CCT / CRI	278 2700K / CRI 85 408 4000K / CRI 85	308 3000K / CRI 85 508 5000K / CRI 85	358 3500K / CRI 85
<input type="text"/>	VOLTAGE	120 120V	277 277V	
<input type="text"/>	DIMMING	STV Standard 0-10V dims to 10%	DALI DALI dims to 10%	
<input type="text"/>	BEAM ANGLE	30 30°	45 45°	55 55°
<input type="text"/>	HOUSING FINISH	BLK Black	GRY ¹ Gray	BRZ ¹ Bronze
<input type="text"/>	MOUNTING	SUM Surface Mount AD10 Adjustable Cable 10ft	ST2 Stem 2ft SAD10 Sloped Adjustable Cable 10ft	ST4 Stem 4ft
<input type="text"/>	RATING	OUT ² Outdoor Rating	NAT ³ Natatorium Rating	MAR ⁴ Marine Rating

CLEAR FORM

¹ Long lead time required

² Outdoor Rating: Coating and wiring will be changed to high UV resistant and corrosion resistant materials for long-term operation in outdoor environments

³ Natatorium Rating: Utilizes high corrosion-resistant materials for both coatings and sealants to prevent damage from long-term exposure to chlorine vapors

⁴ Marine Rating: Utilizes high corrosion-resistant materials for both coatings and sealants to prevent damage from long-term exposure to saltwater environments

TECHNICAL DETAILS

Electrical

- 4,400 lm (50W), 5,760 lm (70W)
- Power Input : 120V or 277V
- Operating Temperature -20°F~104°F
- Surge Protection : Built-in is 4KV
- Power Factor Greater than 0.9

LED Features

- Color Temperature : 2700K, 3000K, 3500K, 4000K, 5000K
- CRI 85
- Long lasting LED luminaire tested under TM21 lumen maintenance L70 @ 60,000 Hrs

Optics

- PC Lens
- Beam Angle : 30°, 45°, 55°

Advanced Dimming

- Standard 0-10V : Dims to 10%
- DALI : Dims to 10%

Housing

- Aperture : Ø7"
- Height : 14.9"
- Weight : 10 lbs
- Material : Die Cast Aluminum, PC, Flow Forming Aluminum

Mounting

- Surface Mount
- Stem 2ft or 4ft
- Adjustable Cable 10ft
- Sloped Adjustable Aircraft Cable 10ft

Warranty

- 5-year limited warranty

Listing

- ETL Wet Location Listed
- FCC
- UKCA
- IP 65

PERFORMANCE SUMMARY*

Delivered Lumens					
CCT/ WATTAGE	2700K	3000K	3500K	4000K	5000K
50W	4,350lm	4,430lm	4,450lm	4,480lm	4,400lm
70W	5,700lm	5,800lm	5,850lm	5,860lm	5,760lm

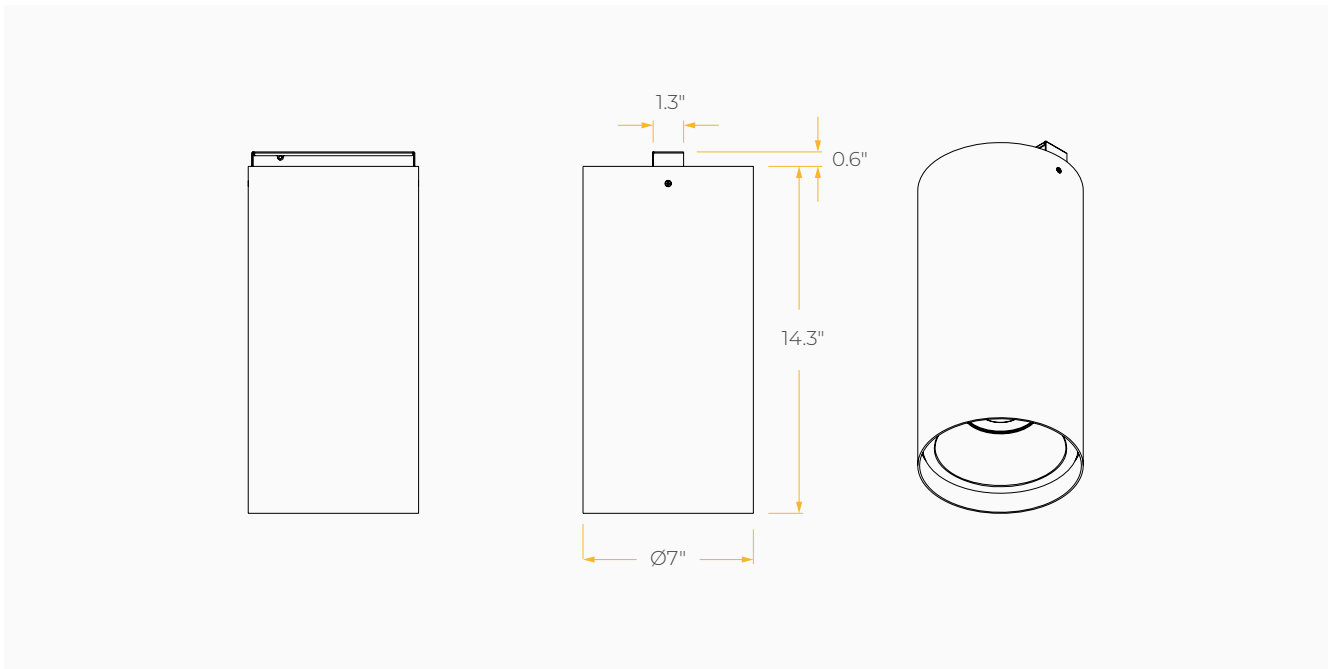
Current Consumption		
WATTAGE / VOLT	120V	277V
50W	0.46A	0.2A
70W	0.64A	0.28A

*Tolerance ±8%

CYLINDER CONVERSION KIT FINISH



DIMENSIONS



MOUNTING OPTIONS*

*Junction box not included

